

EASYARM



MAKE EASY YOUR WORK



ERGONOMIC ARM SOLUTIONS

WWW.VOLUMEC.COM

VOLUMEC[®]
mechanical innovations

PREVENT THE PROBLEM WITH

MOST COMMON TYPE OF INJURIES



CUTS AND WOUNDS



ELIMINATE THE MOST COMMON CAUSES OF WORKER INJURIES



SPRAINS AND STRAINS



WORKER CAN BE MORE PRODUCTIVE WITH LESS STRAIN



FRACTURES



THE WEIGHT LOAD IS TAKEN OFF THE WORKER

MOST COMMON CAUSES OF INJURIES

WORKER SAFETY



OVERWEARINESS



MAINTAINING SAFETY DISTANCES FOR WORKERS LIMBS



REPETITIVE ACTIONS



CARRY THE TOOL IN TIGHT SPACES WHILE KEEPING WORKERS SAFE



BUMP, CUT OR CAUGHT BY EQUIPMENT



CUTS THE LARGE COSTS OF WORKER INJURIES

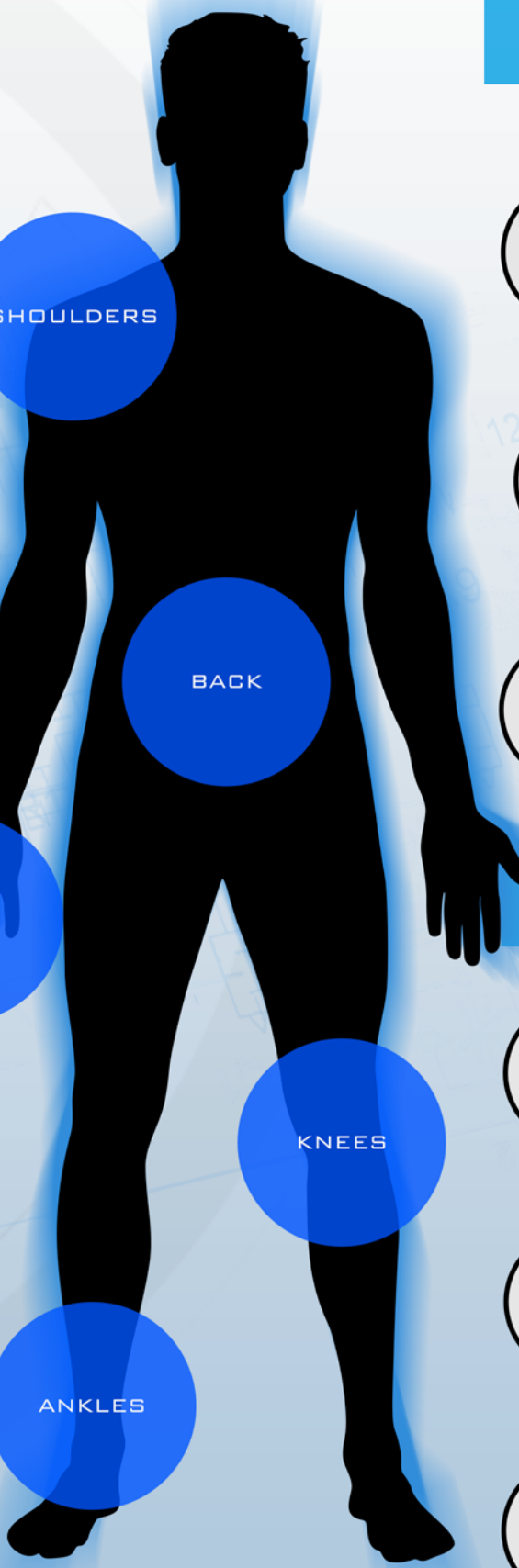
SHOULDERS

BACK

HANDS

KNEES

ANKLES

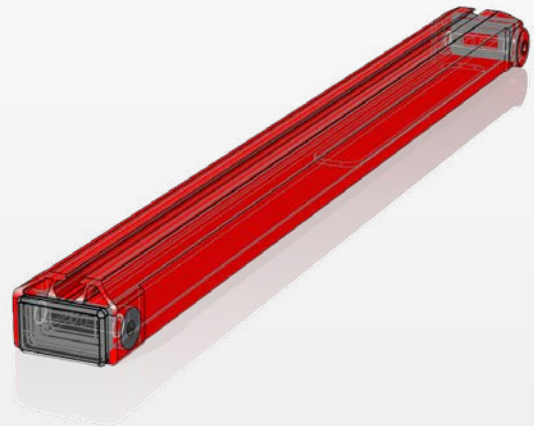


EASYARM SOLUTION FOR YOUR WORKS

Volumec® constantly develops new articulated arm solutions to improve ergonomics, reduce efforts and improve work performance by increasing safety.

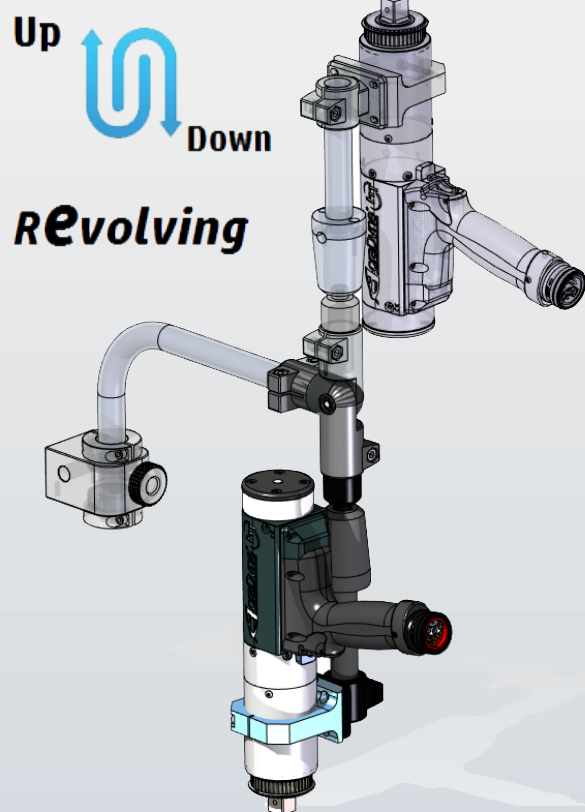
The new **Easyarm Evo2** product line is characterized by a special aluminum profile designed to give each articulated arm maximum fluidity in movement, creating an effect of **zero gravity** but guaranteeing rigidity when required.

The joints are all integrated into the articulated arm, every single element that composes it is studied in detail and created with CNC machines with high quality standards.



Easyarm offers a complete line of heads for fixing tools or devices that can be selected according to the type of machining to be performed.

The new line of **revolving** orbital attachments offers maximum versatility of choice with the advantage of being able to position the tool both upwards and downwards according to the work area to be reached.







YOUR REQUIREMENT? PROVIDE THE DATA:

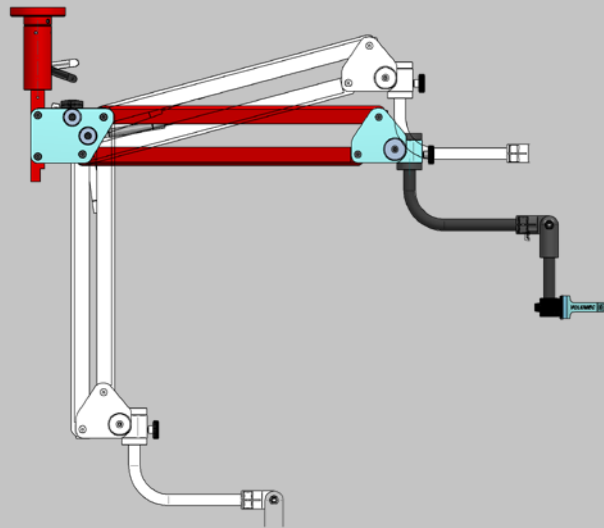
TOOLS TYPE:
MODEL :
APPLICATIONS :
WORK DIRECTIONS:
WEIGHT:
TOOL DRAWING 3D STEP

SERIES EA1/EAB1

A single balanced arm for the most basic and repetitive applications, it can be fixed both to the bench and to the ceiling.

REACH	VERTICAL STROKE	ROTATION	ARM WEIGHT
			
810 mm	755 mm	360°	11-13 Kg
32 in	30 in		24-28 lbs

COMPATIBLE HEAD
ALL



ARTICULATED ARM EA1



MODEL	MAX TORQUE	WEIGHT BALANCED
EA085003	150 Nm	1,5 - 3 Kg
EA085006	150 Nm	3,5 - 6 Kg
EA085010	150 Nm	6,5 - 10 Kg
EA086015	200 Nm	11 - 14 Kg
EA086019	200 Nm	15 - 19 Kg

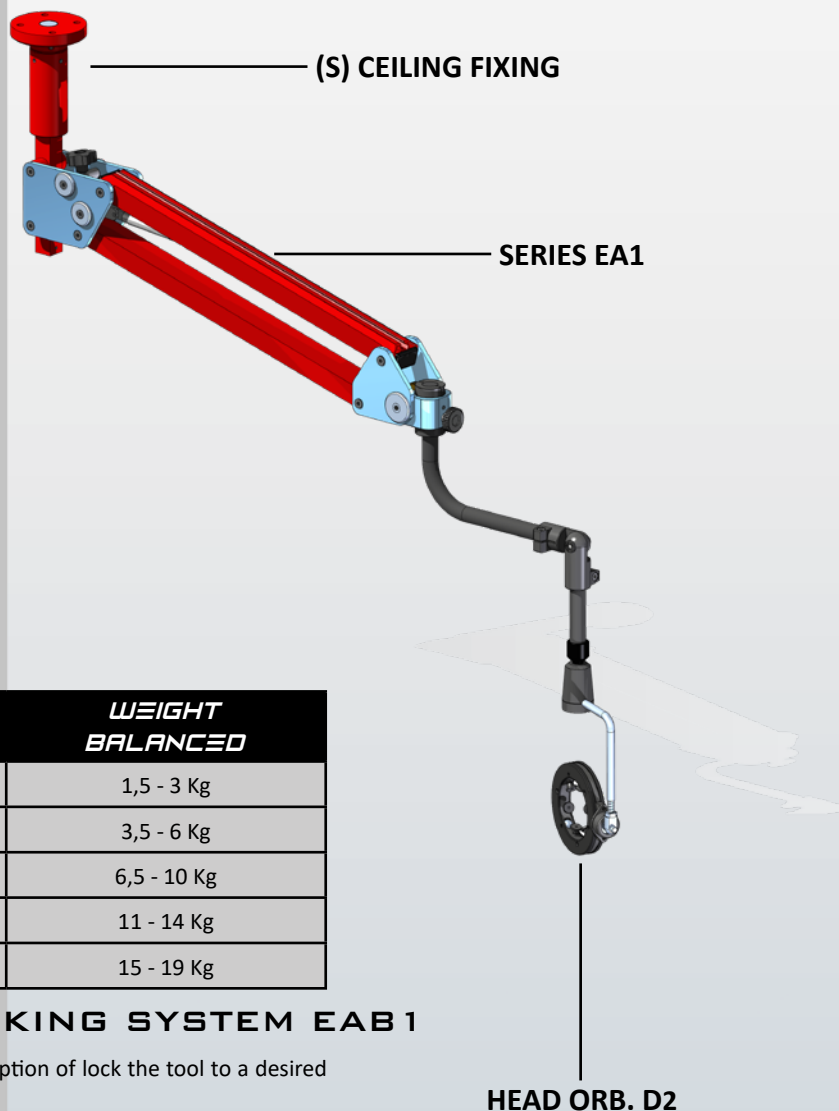
ARTICULATED ARM WITH LOCKING SYSTEM EAB1

The EAB series can be used as standard balanced arm with the option of lock the tool to a desired height and maintained over the entire work area.

MODEL	MAX TORQUE	WEIGHT BALANCED
EAB086003	200 Nm	1,5 - 3 Kg
EAB086006	200 Nm	3,5 - 6 Kg
EAB086010	200 Nm	6,5 - 10 Kg
EAB086015	200 Nm	11 - 14 Kg
EAB086020	200 Nm	15 - 19 Kg

WEIGHT RANGE 1-19 KG
2-42 LBS

BENCH FIXING (standard)	CEILING FIXING (S) version
	



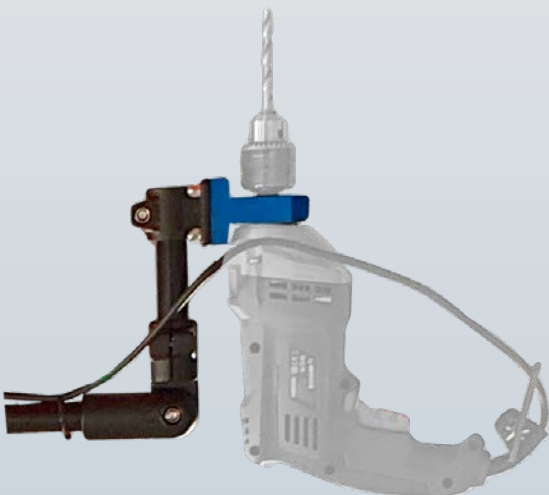
ORBITAL ATTACHMENT B2



ORBITAL ATTACHMENT A4



ORBITAL ATTACHMENT A3-T60







**EA 1
HEAD A3 - T40**

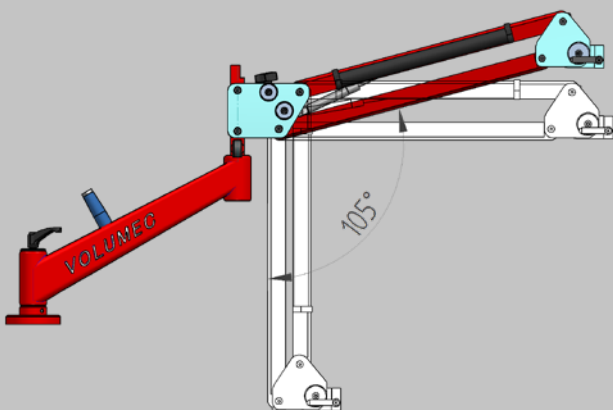


SERIES EA2/EAB2



The articulated arm EA2 balances the weight of the tool or equipment in all working area, guaranteeing fast and precise movements without effort. ZERO GRAVITY

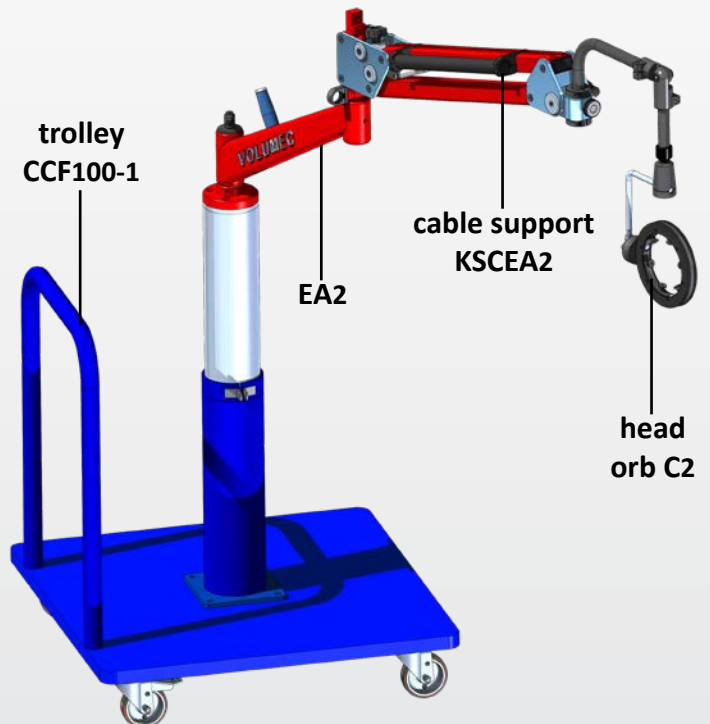
REACH	VERTICAL STROKE	ROTATION	ARM WEIGHT
			
1270 mm	755 mm	360°	15-25 Kg
71 in	57 in		33-55 lbs

COMPATIBLE HEAD
ALL
* EAT (only fix head)



WEIGHT RANGE 1-25 Kg
2-55 LBS

BENCH FIXING (standard)	CEILING FIXING (S) version
	



STANDARD DOUBLE ARTICULATED ARM EA2

MODEL	MAX TORQUE	WEIGHT BALANCED
EA135003	150 Nm	1,5 - 3 kg
EA135006	150 Nm	3,5 - 6 kg
EA136010	200 Nm	6,5 - 10 kg
EA136015	200 Nm	11 - 14 kg
EA136019	200 Nm	15 - 19 kg
EA138030*	300 Nm	20 - 25 kg

DOUBLE ARTICULATED ARM WITH LOCKING SYSTEM EAB2

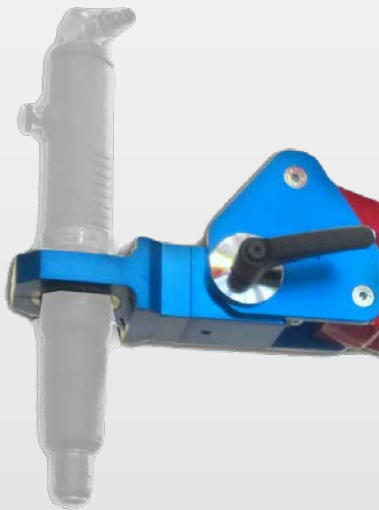
The EAB2 series has the same advantages as the EA2 with the option of lock the vertical stroke to a desired height and maintained over the entire work area.

MODEL	MAX TORQUE	WEIGHT BALANCED
EAB136003	200 Nm	1,5 - 3 kg
EAB136006	200 Nm	3,5 - 6 kg
EAB136010	200 Nm	6,5 - 10 kg
EAB136015	200 Nm	11 - 14 kg
EAB136020	200 Nm	15 - 18 kg

ORBITAL ATTACHMENT E



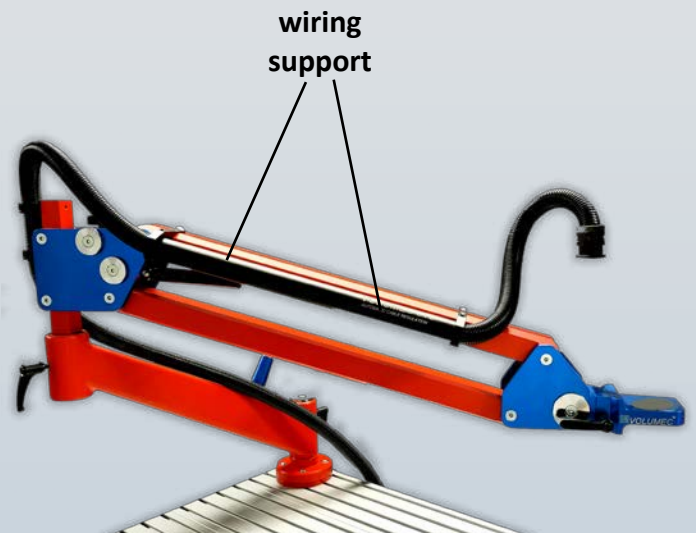
M +T60+A60



ORBITAL ATTACHMENT B3



**EA2 - HEAD C2
TROLLEY CCF100-1**







SERIES EA3/EAB3

WEIGHT RANGE 1-25 Kg

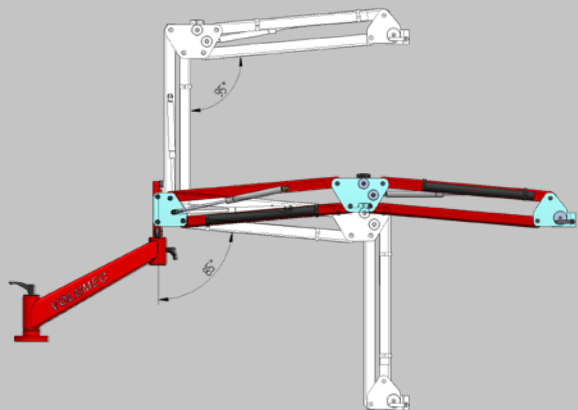
2-55 LBS


The EA3 series is a triple articulated arm with double independent balancing system, its pantograph structure is resistant to efforts with maximum fluidity and precision in movements.

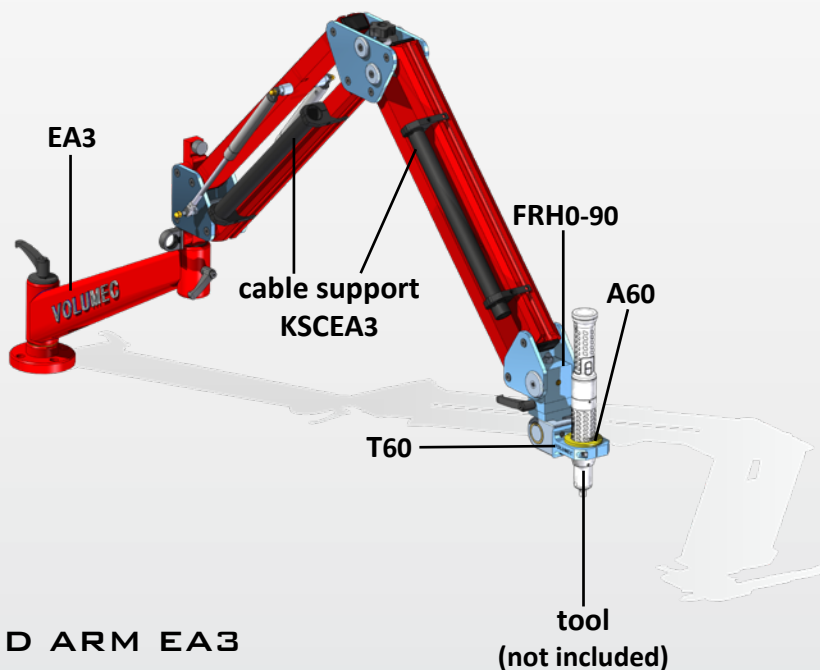
With its large working area and vertical stroke it is the most widespread of the Easyarm series

REACH	VERTICAL STROKE	ROTATION	ARM WEIGHT
			
1950 mm	1305 mm	360°	19-22 Kg
77 in	51 in		42-48 lbs

COMPATIBLE HEAD
ALL



BENCH FIXING (standard)	CEILING FIXING (S) version
	no



STANDARD TRIPLE ARTICULATED ARM EA3

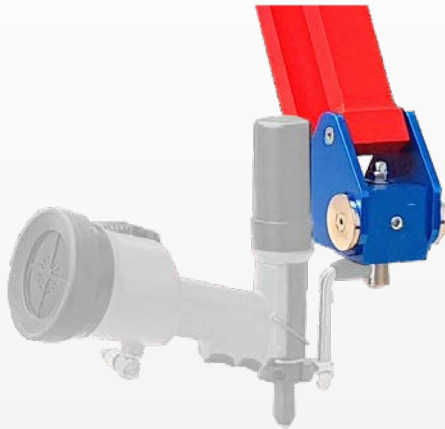
MODEL	MAX TORQUE	WEIGHT BALANCED
EA195002	150 Nm	1,5 - 2,5 Kg
EA195004	150 Nm	2,5 - 5 Kg
EA195010	180 Nm	5,5 - 8 Kg
EA196010	250 Nm	8,5 - 11 Kg
EA196015	250 Nm	11,5 - 15 Kg
EA196020	250 Nm	16 - 20 kg
EA196025	250 Nm	21 - 25 kg

TRIPLE ARTICULATED ARM WITH LOCKING SYSTEM EAB3

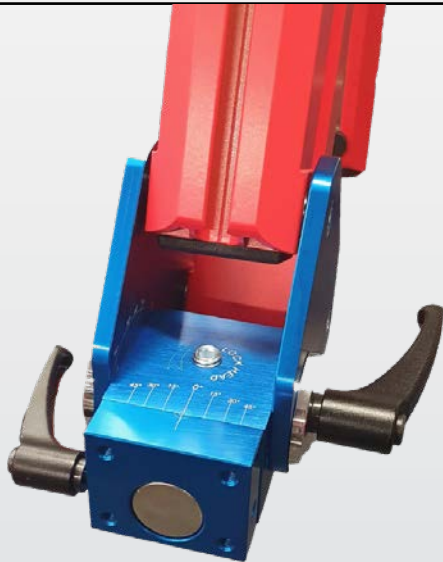
The EAB3 series has the same advantages as the EA3 with the option of lock the vertical stroke to a desired height and maintained over the entire work area.

MODEL	MAX TORQUE	WEIGHT BALANCED
EAB196002	150 Nm	1,5 - 2 Kg
EAB196004	150 Nm	2,5 - 5 Kg
EAB196008	250 Nm	5,5 - 8 Kg
EAB196010	250 Nm	8,5 - 11 Kg
EAB196015	250 Nm	11,5 - 15 Kg

ORBITAL CUSTOM



MULTIDIRECTIONAL HEAD



HEAD F1







**EA3 - HEAD C2
TROLLEY CCF100-1**

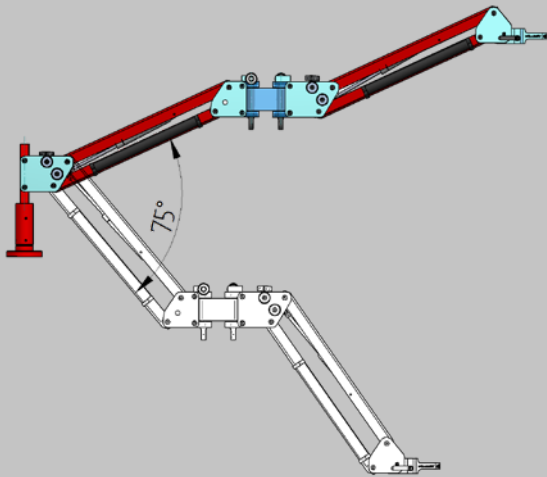


SERIES EA4/EAB4

the EA4 series has the highest freedom of movement which makes it ideal even for the most difficult to reach processes, its conformation allows it to operate both upwards and downwards with maximum fluidity in all directions

REACH	VERTICAL STROKE	ROTATION	ARM WEIGHT
			
1800 mm	1450 mm	360 °	20-22 Kg
72 in	57 in		42-48 lbs

COMPATIBLE HEAD
ALL



MULTI ARTICULATED ARM EA4


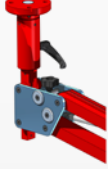
MODEL	MAX TORQUE	WEIGHT BALANCED
EA186002	200 Nm	1,5 - 2 kg
EA186004	200 Nm	2,5 - 5 kg
EA186008	200 Nm	5,5 - 8 kg
EA186010	200 Nm	8,5 - 10 kg

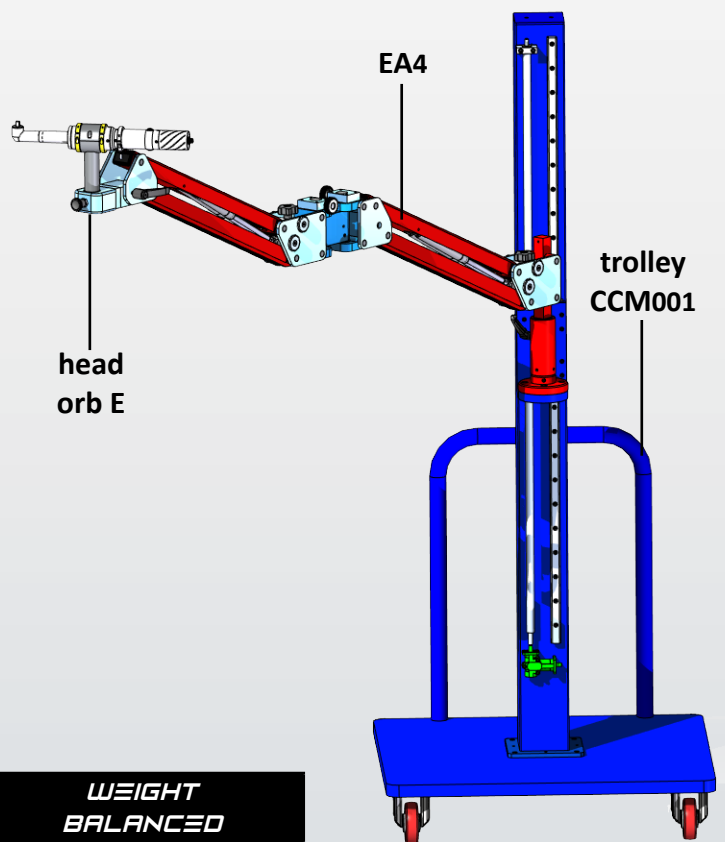
MULTI ARTICULATED ARM WITH LOCKING SYSTEM EAB4

The EAB4 series has the same advantages as the EA4 with the option of lock the vertical stroke to a desired height and maintained over the entire work area.

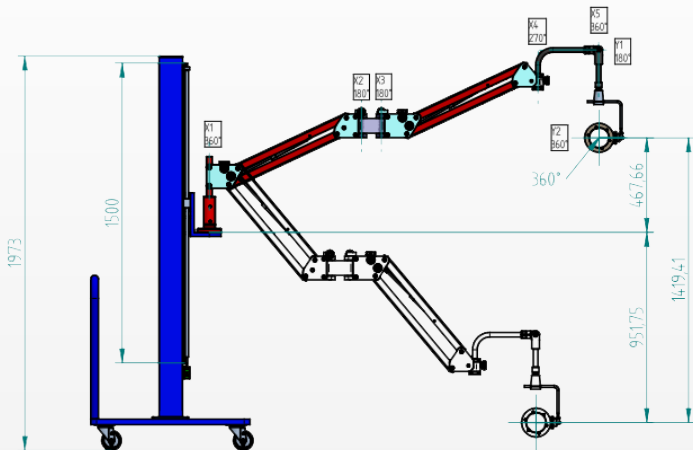
MODEL	MAX TORQUE	WEIGHT BALANCED
EAB186002	200 Nm	1,5 - 2 kg
EAB186004	200 Nm	2,5 - 5 kg
EAB186008	200 Nm	5,5 - 8 kg
EAB186010	200 Nm	8,5 - 10 kg

WEIGHT RANGE 1-10 KG
2-22 LBS

BENCH FIXING (standard)	CEILING FIXING (S) version
	



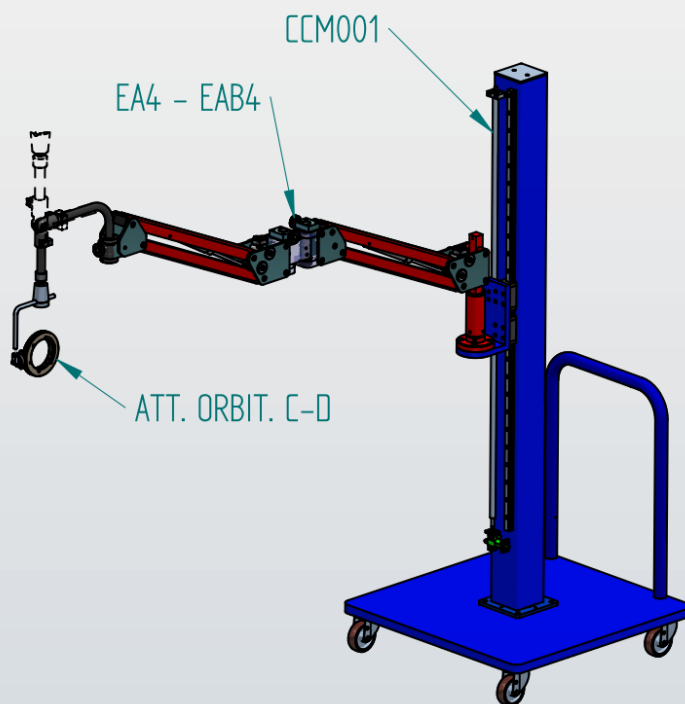
EA4-HEAD D2



EA4-HEAD E



EA4-HEAD D2-TROLLEY CCM001







EAT3




SERIES EAT3

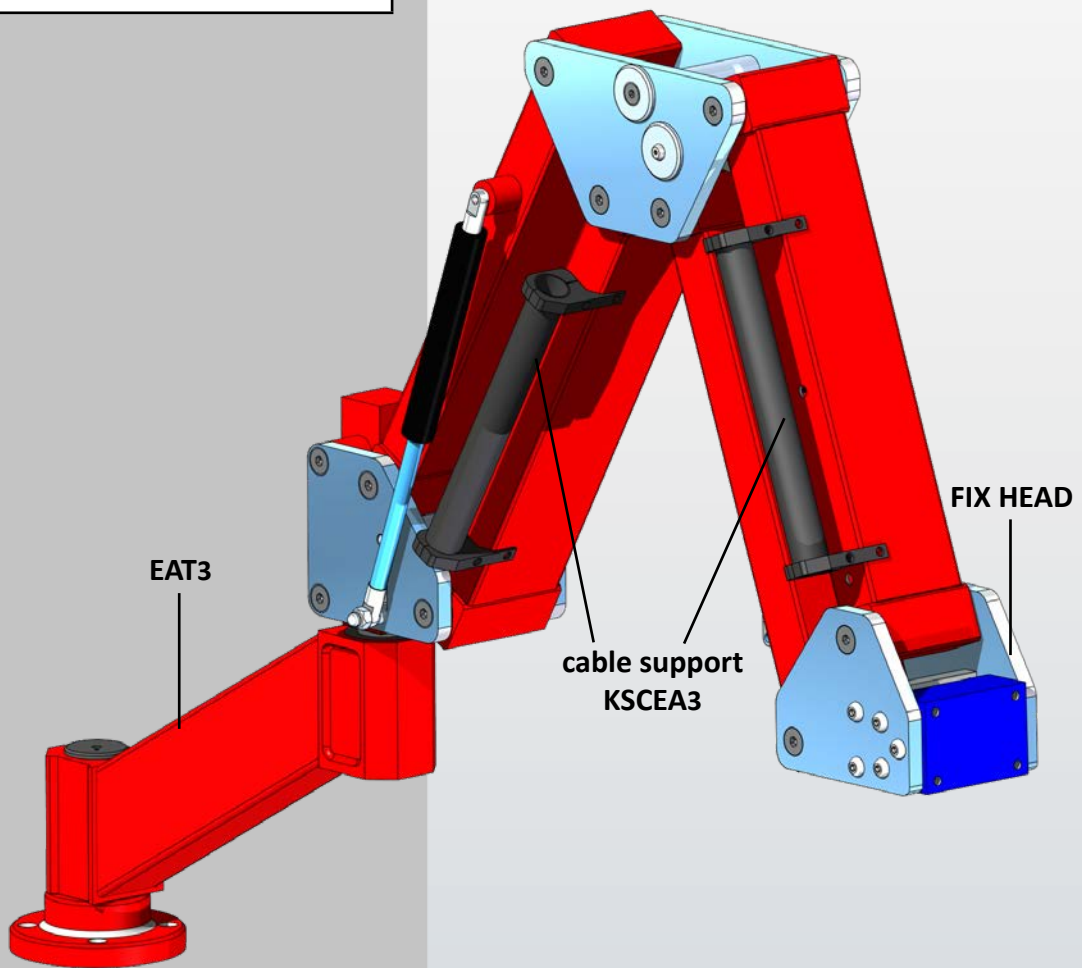
8-40 KG
18-88 LBS

The EAT3 triple articulated arm allows you to balance heavy tools and block high working torque

REACH	VERTICAL STROKE	ROTATION	ARM WEIGHT
			
1650 mm	900 mm	360 °	62 Kg
65 in	35 in		137 lbs

COMPATIBLE HEAD
ALL EAT SERIES SUPPLY WITH FIX HEAD INCLUDED

BENCH FIXING (standard)	CEILING FIXING (S) version
	no



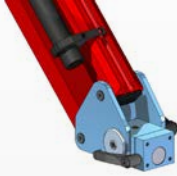
TRIPLE ARTICULATED ARTICULATED ARM EAT3

MODEL	MAX TORQUE	WEIGHT BALANCED
EAT1610014	500 Nm	8 - 14 kg
EAT1610019	500 Nm	15 - 19 kg
EAT1610025	500 Nm	20 - 25 kg
EAT1610030	500 Nm	26 - 30 kg
EAT1610035	500 Nm	31 - 35 kg
EAT1610040	500 Nm	36 - 40 kg

TOOL HEAD

M - Multi-directional head adjustable and lockable in different angles:

COMPATIBLE WITH:	EA2/EAB2 EA3/EAB3 EA4/EAB4
Max 8 Kg	



M1 - Multi-directional head adjustable and lockable in different angles:

COMPATIBLE WITH:	EA2/EAB2 EA3/EAB3 EA4/EAB4
Max 14 Kg	

FRH0-90 Rapid positioning head 0°-90°
EXCLUDED CLAMP FOR TOOL ATTACHMENT (T)

COMPATIBLE WITH: Max	EA2/EAB2 EA3/EAB3 EA4/EAB4
8 Kg	

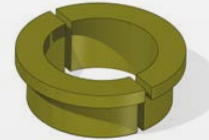


T40 - T60 - T80 Clamp for tool attachment diameter 40 - 60 - 80 mm

COMPATIBLE WITH:	M FRH0-90 A2-A3
------------------	-----------------------



A40 - A60 - A80 Adapter for 40-60-80 mm smaller diameter



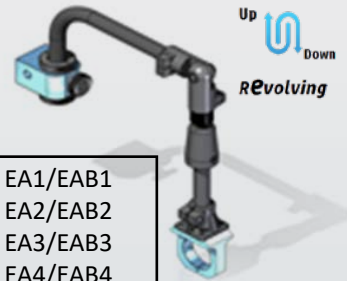
ORBITAL ATTACHMENTS

A1 ORBITAL ATTACHMENT



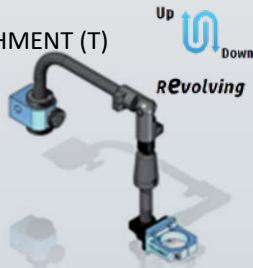
COMPATIBLE WITH:	EA1/EAB1 EA2/EAB2 EA3/EAB3 EA4/EAB4
------------------	--

A2 ORBITAL ATTACHMENT
EXCLUDED CLAMP FOR TOOL ATTACHMENT (T)



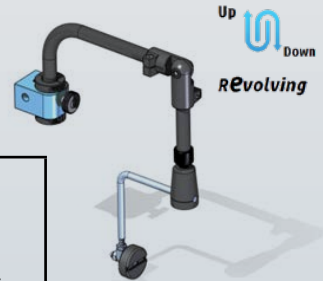
COMPATIBLE WITH:	EA1/EAB1 EA2/EAB2 EA3/EAB3 EA4/EAB4
------------------	--

A3 ORBITAL ATTACHMENT
EXCLUDED CLAMP FOR TOOL ATTACHMENT (T)



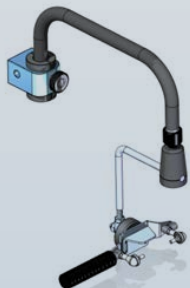
COMPATIBLE WITH:	EA1/EAB1 EA2/EAB2 EA3/EAB3 EA4/EAB4
------------------	--

A4 ORBITAL ATTACHMENT



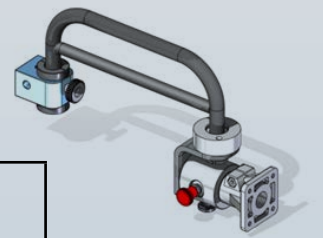
COMPATIBLE WITH:	EA1/EAB1 EA2/EAB2 EA3/EAB3 EA4/EAB4
------------------	--

B1 ORBITAL ATTACHMENT



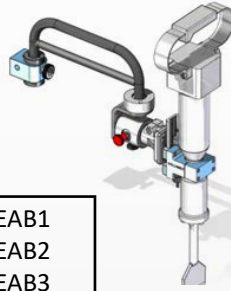
COMPATIBLE WITH:	EA1/EAB1 EA2/EAB2 EA3/EAB3 EA4/EAB4
------------------	--

B2 ORBITAL ATTACHMENT



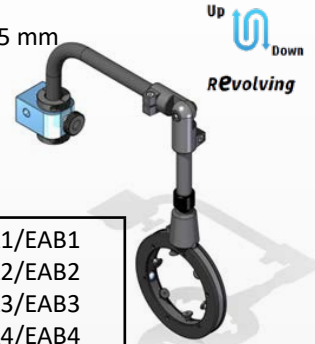
COMPATIBLE WITH:	EA1/EAB1 EA2/EAB2 EA3/EAB3
------------------	----------------------------------

B3 ORBITAL ATTACHMENT
CLAMPS FOR TOOL ATTACHEMENT EXCLUDED



COMPATIBLE WITH:	EA1/EAB1 EA2/EAB2 EA3/EAB3
------------------	----------------------------------

C1 ORBITAL ATTACHMENT
MAXIMUM TOOL DIAMETER 125 mm



COMPATIBLE WITH:	EA1/EAB1 EA2/EAB2 EA3/EAB3 EA4/EAB4
------------------	--

C2 ORBITAL ATTACHMENT
MAXIMUM TOOL DIAMETER 125 mm



COMPATIBLE WITH:	EA1/EAB1 EA2/EAB2 EA3/EAB3 EA4/EAB4
------------------	--

D1 ORBITAL ATTACHMENT
MAXIMUM TOOL DIAMETER 85 mm



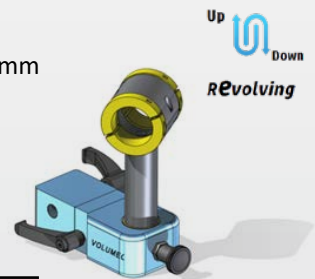
COMPATIBLE WITH:	EA1/EAB1 EA2/EAB2 EA3/EAB3 EA4/EAB4
------------------	--

D2 ORBITAL ATTACHMENT
MAXIMUM TOOL DIAMETER 85 mm



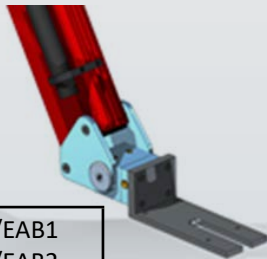
COMPATIBLE WITH:	EA1/EAB1 EA2/EAB2 EA3/EAB3 EA4/EAB4
------------------	--

E ORBITAL ATTACHMENT
WITH TOOL ADAPTER COUPLE
MAXIMUM TOOL DIAMETER 70 mm



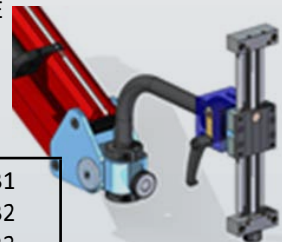
COMPATIBLE WITH:	EA1/EAB1 EA2/EAB2 EA3/EAB3
------------------	----------------------------------

F1 MULTIDIRECTIONAL HEAD FOR MAGNETIC DRILL



COMPATIBLE WITH:	EA1/EAB1 EA2/EAB2
Max 14 kg	

F2 ORBITAL ATTACHMENT
WITH VERTICAL GUIDE FOR PRECISION ADJUSTMENT
FOR LASER MARKING MACHINE



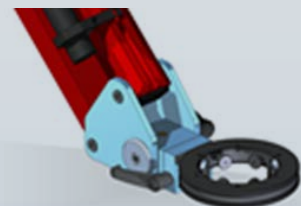
COMPATIBLE WITH:	EA1/EAB1 EA2/EAB2 EA3/EAB3
------------------	----------------------------------

G1 ORBITAL ATTACHMENT
MAXIMUM TOOL DIAMETER 85 mm



COMPATIBLE WITH:	EA1/EAB1 EA2/EAB2 EA3/EAB3
------------------	----------------------------------

G2 ORBITAL ATTACHMENT
MAXIMUM TOOL DIAMETER 125 mm



COMPATIBLE WITH:	EA1/EAB1 EA2/EAB2 EA3/EAB3
------------------	----------------------------------

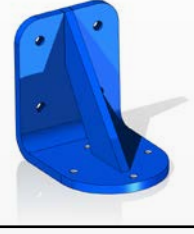
FURTHER ACCESSORIES

(KSCEA2) WIRING SUPPORT KIT EA1-EAB1-EA2-EAB2
 ø MAX 29 mm

(KSCEA3) WIRING SUPPORT KIT EA3-EAB3-EA4-EAB4
 ø MAX 29 mm



(SFP120) WALL MOUNTING
 BRACKET
 Max weight 20 Kg



(MCA001) TROLLEY 850X750 H=870 mm

In painted steel with storage for tools
 4 turning wheels, 2 with brake.
 Weight 65 kg



(CPA001) TROLLEY WITH STRUCTURAL ALUMINIUM PLAN

With caves for clamping pieces
 800x640 h=870 mm
 Lower shelf in steel,
 4 turning wheels, 2 with brakes.
 Weight : 55 Kg



(CCF100) TROLLEY 800X800 mm

With base of 30 mm
 Central column for arm support h=1000 mm
 4 turning wheels, 2 with brakes

Weight 165 kg



(CCF100-1) TROLLEY 800X800 mm

with base of 30 mm, central column for
 arm support with adjustable
 height from 650 mm to 1050 mm,
 4 turning wheels, 2 with brakes.

Weight 165 Kg



(CCF100-EAM) TROLLEY 800X800 mm
 with 30 mm base, central arm support
 column with adjustable height from
 650 mm to 1050 mm, 4 turning wheels
 2 with brakes.
 Weight 185 kg
 (Low wheels)



(CCM001) TROLLEY WITH BASE 800X800X30 mm

Complete with lifting column arm h=2000 mm
 movement on linear guide and trapezoidal
 bar piloted with electric or pneumatic
 screwdriver
 4 turning wheels, 2 with brake
 push handle.
 Weight 220 Kg



(CCM001-EAM) TROLLEY 800X800X30 mm
 Complete with lifting column arm h=1920 mm
 movement on linear guide and trapezoidal
 bar piloted with electric or pneumatic screwdriver
 supports for 4 turning wheels, 2 with brake
 Push handle.
 Weight 240 Kg
 (Low wheels)



(CF001) LIFTING COLUMN ARM H=1850 mm
 movement on linear guide and trapezoidal bar,
 piloted with electric or pneumatic screwdriver.
 Weight 60 Kg



(CS001) TROLLEY WITH BASE 800X800X30 mm
 movement on 2 turning wheels
 with brake, 2 fixed,
 push handle.
 Weight 155 Kg.



(TDS2000) LINEAR SLIDE GUIDE

Total length 2200 mm
 Working stroke 2000 mm
 with self-supporting structure
 and 4 adjustable stabilizers.
 Weight: Kg.120





Cesta na Brdo 85, 1000 Ljubljana
tel:+386 1 256 10 56, fax:+386 1 256 10 55
mailto:info@energe.si, <http://www.energe.si>



/VOLUME C



/VOLUME C ITALY



/volumec_italy